

# avintage●●●

## Built-in range

### Single-compartment service wine cabinet

**22 bottles\***

**AV22XI**

- *Built-in column*
- *Cooling system: compressor (air moving system)*
- *Adjustable temperature range of use: 5-20°C*
- *Black metal external body*
- *Black PVC inner liner*
- *1 reversible glass door, anti-UV treated, 3-layers tempered glass (brown colored), stainless steel frame*
- *Electronic regulation*
- *3 semi-sliding wooden shelves, metal front*



Opt for the **elegant design** of this cabinet which will fit perfectly into your kitchen and will keep your wines at a constant temperature.

With its **A class**, energy performance is optimized.

Thanks to **door and temperature alarms**, offer the best protection to your bottles of wine.



# avintage

## Reference: AV22XI

- **Ambient temperature range of use:**  
16°-32°C
- **Equipments included:**  
White LED lights with ON/OFF switch button  
Anti-vibration system  
Thermometer with white electronic display
- **Technical characteristics:**  
Voltage: 220-240 V  
Power input: 70.0 W  
Annual electrical consumption: 139.0 kWh  
Energy class: A  
Climatic class: N  
Noise level: 43.0 dB

- **Logistic datas:**

Dimension UVC (W x D x H cm):

Packed: 64 x 64 x 51  
Unpacked: 59 x 54 x 45.5

Weight UVC (Kg):

Gross: 31,00  
Net: 27,00

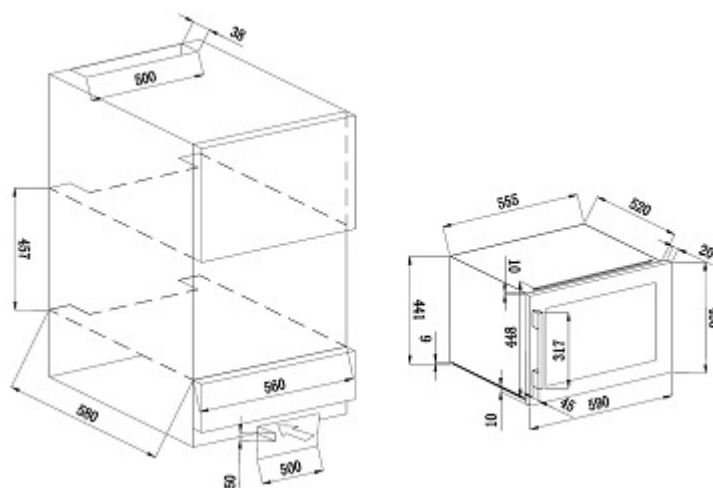
Pallet dimensions (cm): /

Full truck (UVC): 180

Container (UVC):

20': 108  
40': 216  
40' HC: 270

Gencod UVC: 3595320104486



Non-contractual pictures

\* Capacity given with 75cl Bordeaux traditional type bottles on 3 shelves. Adding shelves reduce considerably the total capacity.