

# avintage

## Built-in range

### 2-compartment service wine cabinet

**52 bottles\***

**AVI48CDZ**

- Built-in column
- Cooling system: compressor (air moving system)
- Adjustable temperature ranges of use:  
5°-18°C/5°-18°C
- Black metal external body
- Black PVC inner liner
- 1 reversible glass door, anti-UV treated, 3-layers tempered glass (grey-colored), black piano organic glass frame
- Electronic regulation
- 4 semi-sliding wooden shelves  
1 fixed de présentation en bois shelf

Opt for the **elegant design** of this cabinet which will fit perfectly into your kitchen and will keep your wines at a constant temperature. Thanks to its both temperature zones, you could bring **simultaneously** your bottles at **room temperature** or bring them to **service temperature**.

\*Capacity given as an indication without presentation shelf. Adding shelves reduces considerably the total capacity.



# avintage

## Reference: AVI48CDZ

- **Ambient temperature range of use:**  
10°-32°C
- **Equipments included:**  
2 adjustable feet (height 1 cm)  
White LED lights with ON/OFF switch button  
Anti-vibration system  
Thermometer with white electronic display
- **Technical characteristics:**  
Voltage: 220-240 V  
Power input: 85.0 W  
Annual electrical consumption: 190.0 kWh  
Energy class: B  
Climatic class: N-SN  
Noise level: 41.0 dB
- **Logistic datas:**

### Dimension UVC (W x D x H cm):

Packed: 65 x 65 x 94  
Unpacked: 59.5 x 55.6 x 88.7

### Weight UVC (Kg):

Gross: 49,00  
Net: 45,00

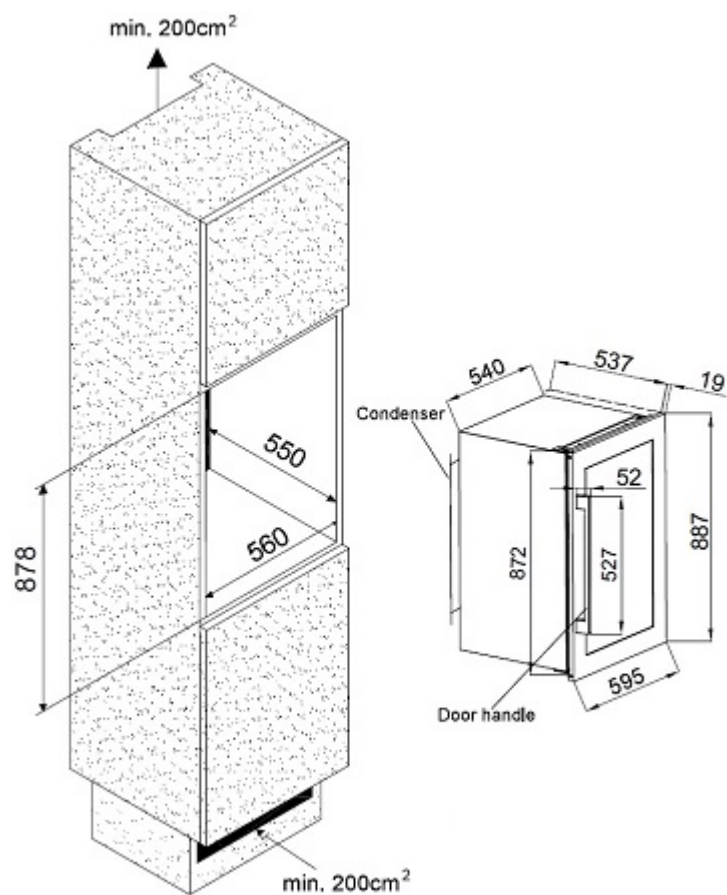
### Pallet dimensions (cm): /

Full truck (UVC): 120

### Container (UVC):

20': 54  
40': 108  
40' HC: 148

Gencod UVC: 3595320104684



Non-contractual pictures

\* Capacity given with 75cl Bordeaux traditional type bottles on 4 shelves. Adding shelves reduce considerably the total capacity.