

# avintage

Built-in range

## 2-compartment service wine cabinet

**79 bottles\***

**AVI81XDZ**

- *Built-in installation*
- *Cooling system: compressor (air moving system)*
- *Adjustable temperature ranges of use:  
5°-18°C/5°-18°C*
- *Black metal external body*
- *Black PVC inner liner*
- *1 reversible glass door, anti-UV treated, 3-layers  
tempered glass (grey-colored), stainless steel  
frame*
- *Electronic regulation*
- *8 semi-sliding wooden shelves*  
*1 fixed de présentation en bois shelf*

### *Avintage innovation!*

*Opt for the elegant design of this cabinet which will fit perfectly into your kitchen and will keep your wines at a constant temperature. Thanks to its wide adjustment range, you could bring your bottles at room temperature or bring them to service temperature.*

*\*Capacity given as an indication without presentation shelf.  
Adding shelves reduces considerably the total capacity.*



# avintage

## Reference: AVI81XDZ

- **Ambient temperature range of use:**  
10°-32°C
- **Equipments included:**  
2 adjustable feet (height 1 cm)  
White LED lights with ON/OFF switch button  
Anti-vibration system  
Thermometer with white electronic display
- **Technical characteristics:**  
Voltage: 220-240 V  
Power input: 85.0 W  
Annual electrical consumption: 245.0 kWh  
Energy class: C  
Climatic class: N-SN  
Noise level: 39.0 dB

### • Logistic datas:

Dimension UVC (W x D x H cm):

Packed: 65 x 65 x 128.5  
Unpacked: 59.5 x 55.6 x 123

Weight UVC (Kg):

Gross: 60,00  
Net: 56,00

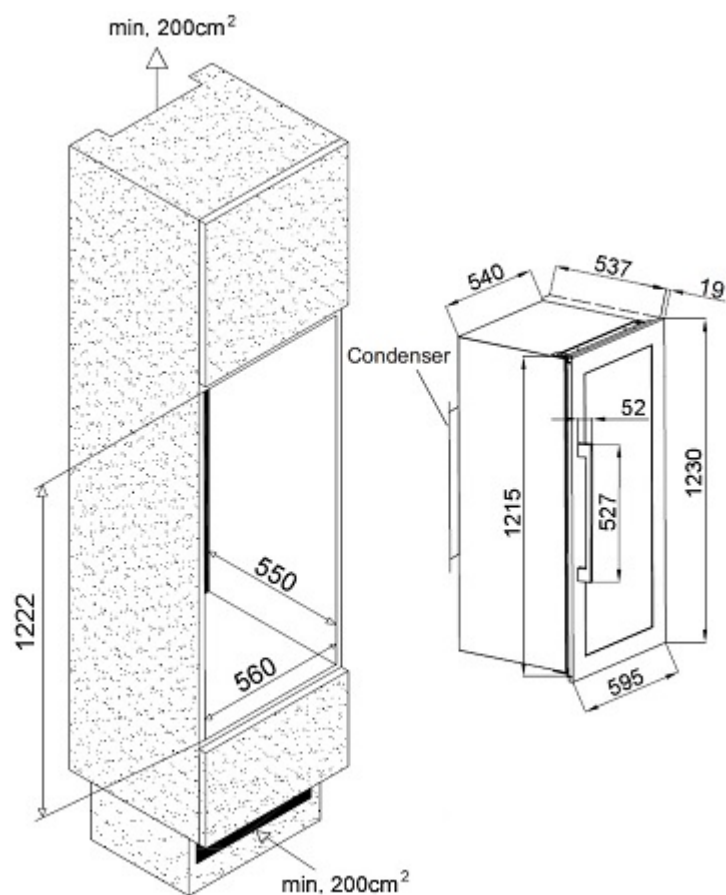
Pallet dimensions (cm): 0

Full truck (UVC): 60

Container (UVC):

20': 40  
40': 81  
40' HC: 108

Gencod UVC: 3595320104691



Non-contractual pictures

\* Capacity given with 75cl Bordeaux traditional type bottles on 8 shelves. Adding shelves reduce considerably the total capacity.