

avintage

Built-under range

Single-compartment service wine cabinet

21 bottles*

AVU23SX

- Free standing and built-under counter installation
- Cooling system: compressor (air moving system)
- Adjustable temperature range of use: 5°-20°C
- Black metal external body
- Black PVC inner liner
- 1 reversible glass door, anti-UV treated, 3-layers tempered glass (brown colored), stainless steel frame
- Electronic regulation
- 2 semi-sliding metal shelves, wooden front
- 2 semi-sliding metal half shelves, wooden front

New elegant design and optimization of energy consumption: **A class.**

Thanks to the black shelf provided with your wine cellar, you can also arrange your opened **bottles vertically** for example!



avintage

Reference: AVU23SX

- **Ambient temperature range of use:**
16°-32°C
- **Equipments included:**
4 adjustable feet (height 6.5 cm)
Plumbing passage
White LED lights with ON/OFF switch button
Anti-vibration system
Removable aeration system
Water tray to maintain proper hygrometry
Thermometer with white electronic display
- **Technical characteristics:**
Voltage: 220-240 V
Power input: 74.0 W
Annual electrical consumption: 140.0 kWh
Energy class: A
Climatic class: N
Noise level: 43.0 dB
- **Logistic datas:**

Dimension UVC (W x D x H cm):

Packed: 34 x 63 x 85
Unpacked: 29.5 x 57.1 x 82

Weight UVC (Kg):

Gross: 31,00
Net: 28,00

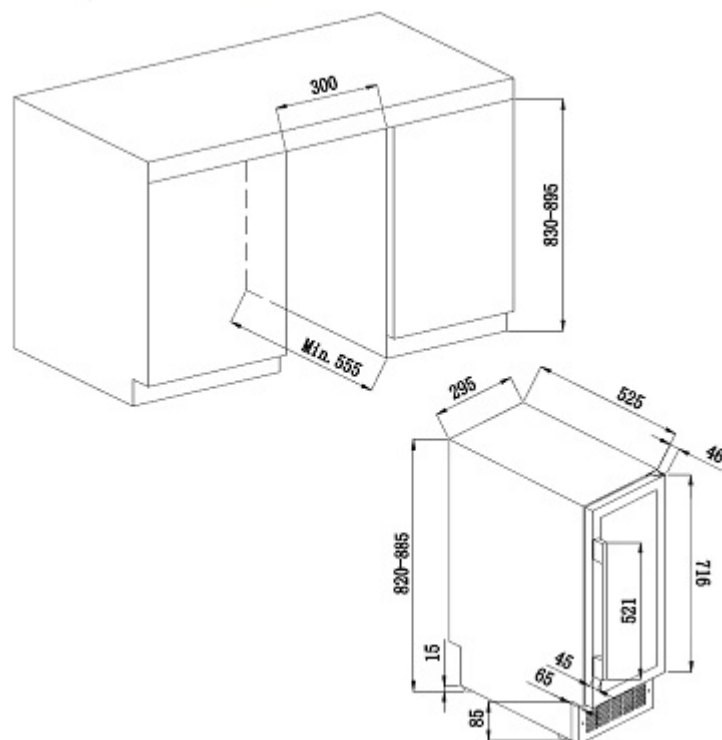
Pallet dimensions (cm): 0

Full truck (UVC): 252

Container (UVC):

20': 146
40': 294
40' HC: 366

Gencod UVC: 3595320104721



Non-contractual pictures

* Capacity given with 75cl Bordeaux traditional type bottles.
Adding shelves reduce considerably the total capacity.